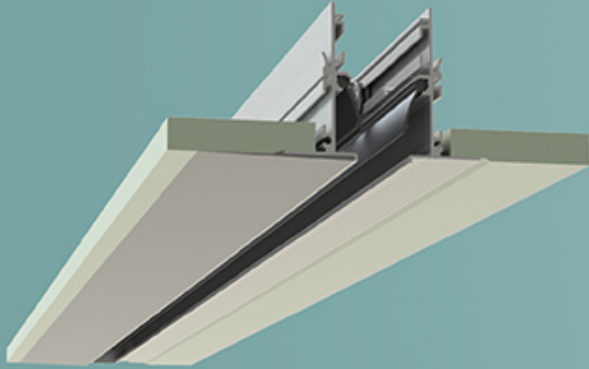


## Novelties in Brofer's hidden diffusers.

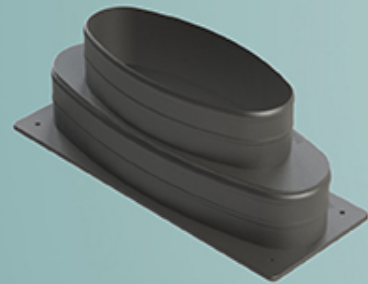
17/10/2024

new products

**DLFS**



**AOP**

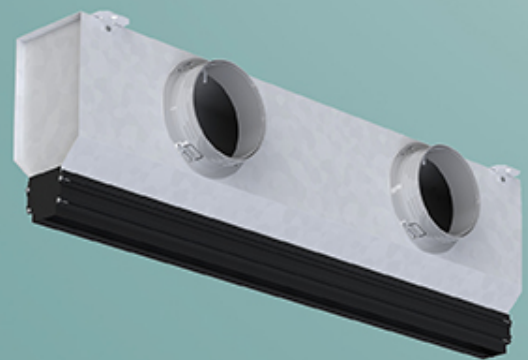


expanded range

**DLAS**



**DLFL**



We are pleased to announce significant updates to our Brofer product range. In particular, the new hidden linear diffusers and the ovalized plastic spigot are designed to combine aesthetics and functionality, reducing visual impact while improving air quality in indoor environments.

### **DLFS - New Concealed Linear Slot Diffuser**

The DLFS represents the latest evolution in our diffuser line. With an even more sophisticated design, this diffuser allows for proper air supply and extraction while minimizing visual impact, perfectly adapting to the needs of any space.

### **AOP - Ovalized Plastic Spigot**

We also present the new AOP ovalized plastic spigot, available in two sizes. This product has been designed to simplify installation and enhance the efficiency of ventilation systems, ensuring uniform air distribution and contributing to environmental comfort.

### **DLAS - Range Expansion**

We are excited to announce an expansion of the DLAS range, featuring new standard lengths and a new slot size to further improve the efficiency of our ventilation systems.

### **DLFL - Range Expansion**

For the DLFL, we have developed a new model with a 20 mm slot, designed to better manage airflow even in smaller spaces. In support of these updates, we have also implemented a price reduction on plenums, making our solutions even more accessible.

All these new products and related conditions will be available starting from October 21, 2024.

For any questions or requests for information, please do not hesitate to contact us!

Thank you for your continued trust in Brofer.